



OPL 7736

bar code scanner
handheld laser gun

Features

Benefits

■ Laser scan engine

The use of laser technology creates the ability to scan from short to varying long distances. This ability is also the tool to read varying bar code label widths by just moving the gun a bit further or closer to the label.

■ Distance scanning

■ Light weight scanner

The weight and shape of the body is comfortably designed for frequently daily use.

■ Suitable for all users

■ Different interfaces available ■ Easy connection

Simply plug the connector of the applicable interface into your computer. All popular interfaces are available.

■ Ergonomic triggering

The triggerkey below the scan head has a natural feeling and is activated by a single slight push. The good read LED on top of the scan head provides a clear indication during the scanning operation.

■ Comfortable in use



Awarded

For the design of the Opticon laser gun OPL7736 OPTOelectronics received in 2001 the "Good Design Award" from the Japan Industrial Design Promotion Organisation.

PRELIMINARY
Laser Gun
PRELIMINARY
INFORMATION

SPECIFICATIONS OPL 7736 bar code scanner handheld laser gun

Electrical specifications

Voltage requirement 5 V \pm 10%

Optical specifications

Light source 650 nm visible laser diode
 Scan method vibrating mirror
 Scan rate 100 scans/sec
 Decode rate 100 decodes/sec
 Resolution at PCS 0.9 0.15 mm (6 mil)
 Min. PCS Values 0.45
 Depth of field 50 ~ 360 mm (UPC PCS0.9, resolution 1.00)
 30 ~ 270 mm (UPC PCS0.9, resolution 0.50)
 30 ~ 140 mm (UPC PCS0.9, resolution 0.25)
 30 ~ 70 mm (UPC PCS0.9, resolution 0.15)
 Reading mode normal barcode reading
 optional: parallel reading

Supported symbologies

Chinese Post
 Codabar ABC and CX
 Code 39
 Code 93
 Code 128
 EAN-8 incl. +2,+5
 EAN-13 incl. +2,+5
 EAN-128
 IATA
 ISBN
 ISSN
 Industrial 2of5
 Interleaved 2of5
 Italian Pharmaceutical
 Laetus
 Matrix 2 of 5
 MSI/ Plessey
 UK/ Plessey
 Telepen
 S-Code
 UPC-A incl. +2,+5
 UPC-E incl. +2,+5

Functionality

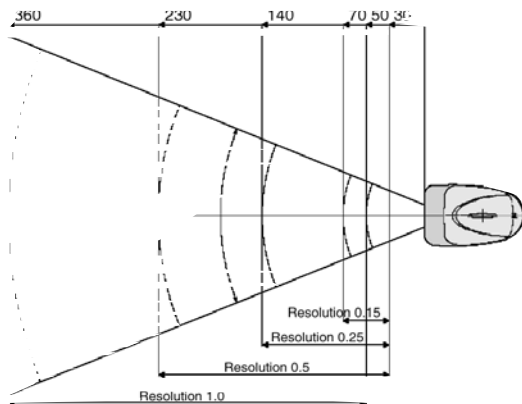
Trigger modes Manual
 Interfaces supported RS232
 keyboard wedge (XT/AT, PS2)
 USB
 Configuration over 300 parameters can be set by RS 232 or menu book

Environmental specifications

Temperature -10 - +40 °C in operation
 -20 - +60 °C in storage
 Humidity (non condensing) 10 - 90 % in operation
 5 - 95 % in storage
 Shock drop: 1.5 m drop onto concrete surface
 vibration: 12 - 100 Hz with 2G for 1 hour
 Ambient light rejection fluorescent 3.000 lux max.
 white light 3.000 lux max.
 direct sun 8.000 lux max.
 Emission According to EN50081, part 1
 Immunity According to EN50082, part 1
 Safety, Laser class According to IEC825, Class I laserproduct

Physical specifications

Dimensions (h x w x d) 112 x 52 x 113 mm
 Case material ABS
 Standard connector RS 232: DB9 female with external power
 keyboard wedge: DB9 female
 USB: USB-A



Preliminary specifications are subject to change without notice. Printed 10-2001

The Netherlands Hoofddorp - France Issy Les Moulineaux Cedex - Germany Mainhausen
 Italy Padova - Sweden Järfälla - U.K. Banbury, Oxon
 Australia Lane Cove - Japan Ashibetsu - Warabi - Osaka - Taiwan Taipei - U.S.A. Orangeburg

OPTICON